

VENETIAN BLINDS Timeless look

COMFORT AND JOY OF USE

Venetian blinds are a perfect solution protecting room interior against excess of sunlight. Thanks to its installation, both in residential, and commercial buildings, such as; offices, hotels, public buildings, not only can provide more privacy, but also significantly decrease use of electric energy, which is being used by air conditioning systems. Drutex's venetian blinds are consistent with contemporary architectural trends, which favour large glazing where no other than facade type of shutters can be applied. What is important, this product can be used for both new and already existing buildings. Its great advantage is also a possibility of merging with an intelligent management systems, which allow controlling with a tablet or smartphone.



AVAILABLE LATHS FOR ADAPTIVE AND TOP-MOUNTED VENETIAN BLINDS



C80 Lath



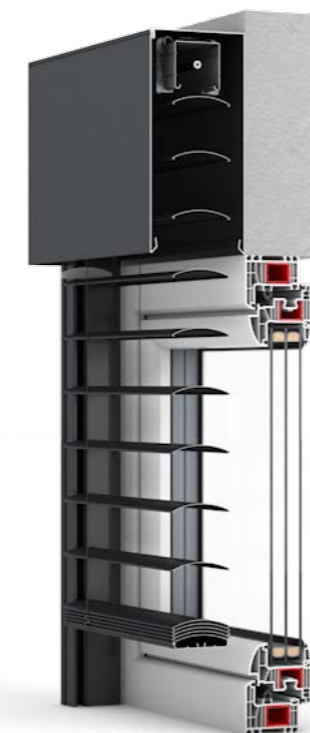
S90 Lath



Z90 Lath

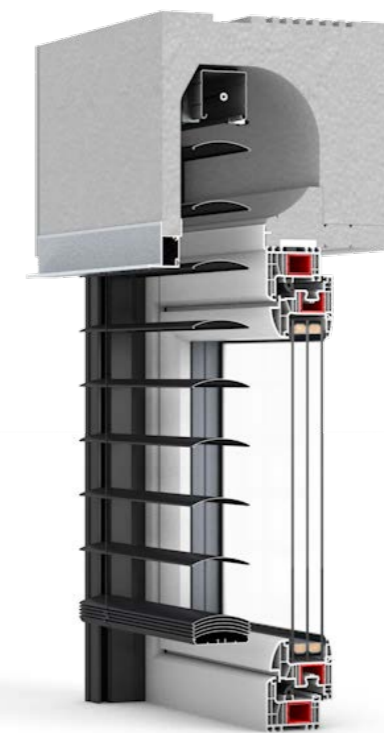
ADAPTIVE VENETIAN BLINDS

Available dimensions (width x height.):
140x240 mm, 140x300 mm.



TOP-MOUNTED VENETIAN BLINDS

Available dimensions (width x height.):
260x275 mm, 300x308 mm,
365x308 mm, 425x308 mm.



Available Lath Colours



RAL 7016

RAL 9005

RAL 9006

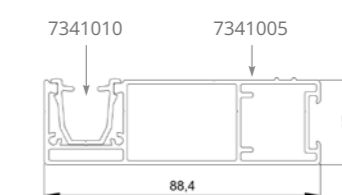
RAL 9007

RAL 9016

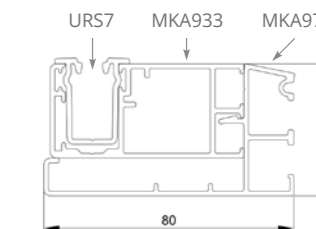
DB 703

For adaptive roller shutters and venetian blinds, we use matt paints.

Thanks to the free adjustment of the angle of inclination of the laths, they enable an optimal level of shading and create a nice atmosphere in the rooms of the building. They reflect most of the sunlight in front of the window, ensuring comfortable conditions in the apartment or house. Controlling with a wireless remote controller or a smartphone. We recommend equipping venetian blinds with a weather station.



Single roller guide
for ZF-A as standard.



Single roller guide
for ZF-S as standard.

i Possibility of applying a PVC roller guide for the box of top-mounted venetian blind.



A roller guide with a drainage profile for a maximum distance of 240 mm also available in the offer.

SMART HOME INTELLIGENT CONTROL

Comfortable management

Intelligent roller shutter control systems, using a remote controller, tablet or a smartphone, are becoming more and more popular among customers which allows to manage the system remotely when absent. There is a possibility of opening and closing the roller shutter separately or in groups, as well as, time programming and merging with other intelligent systems at home. It is an investment in comfort of use and functionality on the highest level.



TaHoma® switch

Windows, doors, roller shutters, venetian blinds, gates and wickets, which, thanks to the intelligent Somfy- TaHoma® switch control panel, can open and close themselves at a given time of the day. Moreover, they can tilt or slide in integrated groups or separately, at the same time ensuring a full control and surveillance of the house, even when nobody is there. TaHoma® switch also allows to manage the house and garden lighting.



BleBox product line

These are miniature devices which allow opening and closing of doors, windows, roller shutters, awnings, venetian blinds, gates, as well as, managing the lightning and alarm systems with a smartphone or tablet- also from any place in the world.



Drutex dedicated remote controller.

Electric drives

Automatic setting of end positions, obstacle detection and overload blokage. Hangers with blockage as standard.



SOMFY Oximo S Auto RS100 IO 10/17

A drive cooperating SOMFY Tahoma system, which has an overload protection, obstacle and icing detection, remotely controlled.

Available models:

- Oximo S Auto IO 6/17 (short)
- RS100 IO 10/17
- RS100 IO 15/17 (strong).



SIMU T5 Auto 10/17

A modern remote control drive SIMU has the functions of auto-control of endpoints, obstacle detection and overload blockage.

Available models:

- T3,5 AUTO+ 9/16 / fi 40 roller
- T3,5 AUTO+ 13/10 / fi 40 roller
- T5 AUTO 10/17 / fi 60 roller
- T5 AUTO 15/17 / fi 60 roller.



SELVE SP Rescue (rescue exit)

Universal drive with a mechanical limit switch and emergency opening within seconds.



SELVE SEE-NHK

Electric drive for roller shutters with a mechanical operating of an emergency opening with a crank.

Advantages of SELVE SP Rescue drive:

- opens roller shutters and ensures a second escape route within 1-2 seconds- also in case of power failure
- intuitive one-touch operation
- the endpoints remain unchanged after returning to the operating mode
- entirely mechanical solution, maintenance-free.