

**WINDOW SYSTEM**  
MB-86N SI

Our aluminum windows and terrace systems combine the highest aesthetics with a modern design that will add a unique character to your interiors.

The light and extremely durable construction of aluminium windows combined with a palette of over 200 colours and many additional options constitutes a unique offer on the window joinery market.



Smart Home



Additional options p. 72

**TECHNICAL DATA**



77 mm

installation depth



$U_w = 0,76 \text{ W}/(\text{m}^2\text{K})^*$

thermal transmittance



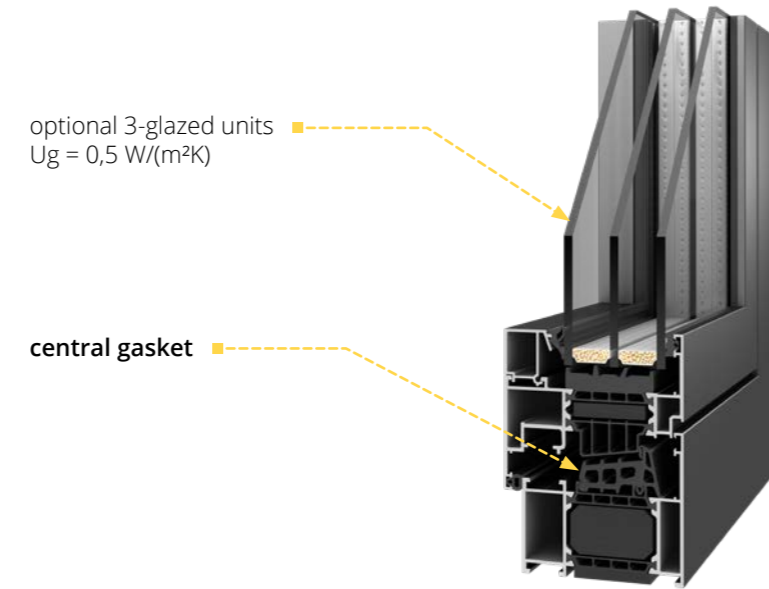
2

gaskets

\*More data at page 74.

**SYSTEM STRUCTURE**

3-CHAMBER SYSTEM with an installation depth of 77 mm. Two-component central gasket seals provide excellent insulation for the space between the vent and the frame.



**Standard:**

- MACO MULTI-MATIC KS fittings with 2 anti-theft strikers with Silber-Look anticorrosion coating for long-lasting protection and smooth operation of the fitting
- sash lifter (lifting mishandling device - depending on window height)
- microventilation in tilt and turn windows
- hinge covers in 3 colours: white, silver, brown
- aluminium handle
- 2-glazed (1-chamber) units infilled with argon gas with  $U_g = 1.1 \text{ W}/(\text{m}^2\text{K})$
- glass-pane spacer made of galvanised steel
- 1 EPDM gaskets + 1 central gasket made of foamed EPDM, gaskets available in black
- RAL matt color: white (9016), anthracite (7016)





**WINDOW SYSTEM**  
MB-79N SI

The MB-79N SI system is characterised by enhanced thermal insulation. Its exceptional thermal insulation parameters are owed to the fitting of insulating inserts and a two-component central gasket.

This modern aluminium system is ideal for fixed, tilt, tilt&turn and tilt&slide windows.



Smart Home



Additional options p. 72

**TECHNICAL DATA**



70 mm

installation depth



$U_w = 0,81 \text{ W}/(\text{m}^2\text{K})^*$

thermal transmittance



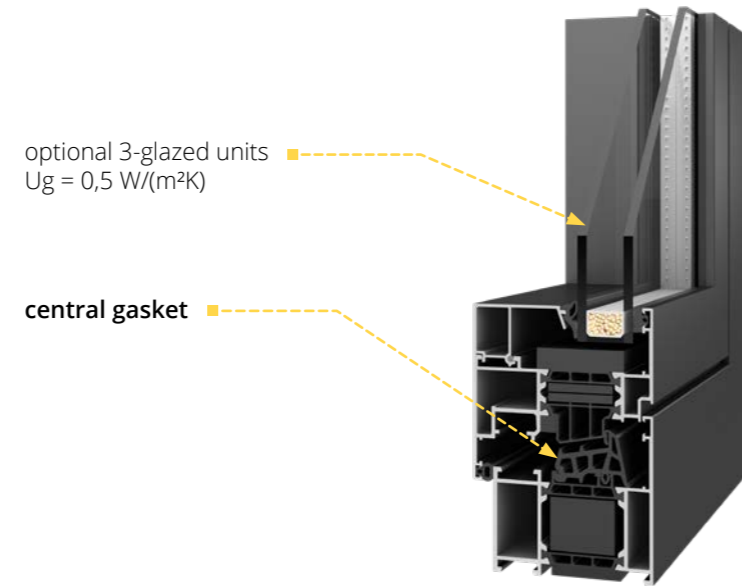
2

gaskets

\*More data at page 74.

**SYSTEM STRUCTURE**

The new line of aluminium windows with increased thermal insulation, featuring insulating inserts and a two-component central gasket, will ensure lower heating bills. The modern design and over 200 colours combined with many additional options will satisfy the most demanding customers.



**Standard:**

- MACO MULTI-MATIC KS fittings with 2 anti-theft strikers with Silber-Look anticorrosion coating for long-lasting protection and smooth operation of the fitting
- sash lifter (lifting mishandling device - depending on window height)
- microventilation in tilt and turn windows
- hinge covers in 3 colours: white, silver, brown
- aluminium handle
- 2-glazed (1-chamber) units infilled with argon gas with  $U_g = 1.1 \text{ W}/(\text{m}^2\text{K})$
- glass-pane spacer made of galvanised steel
- 1 EPDM gaskets (external and internal) + 1 central gasket made of foamed EPDM, gaskets available in black
- RAL matt color: white (9016), anthracite (7016)

