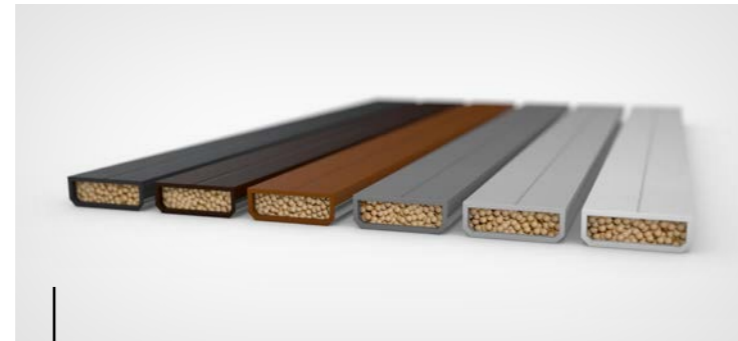


GLASS-PANE SPACERS

The glass-pane spacers contribute to the thermal insulation of the glazed units. Drutex already offers glass-pane spacer made of galvanised steels as a standard, which are characterised by very good thermal insulation, much better than aluminium spacers. The Swisspacer Ultimate plastic spacer is available as an option.

Glass-pane spacer made of galvanised steel

is provided as standard with every glazed unit.



Swisspacer Ultimate

Optional Swisspacer Ultimate glass-pane spacer available in black, brown, grey.

RECTANGULAR GLAZING BEAD

The rectangular glazing bead is dedicated to the window, balcony and terrace systems. In combination with the latest decorative veneers imitating aluminium, windows fit in with the latest architectural trends.

Option available for glazing:

48 mm:

- Iglo Energy
- Iglo Energy PSK
- Iglo Energy Classic
- Iglo Energy Classic PSK

24 mm:

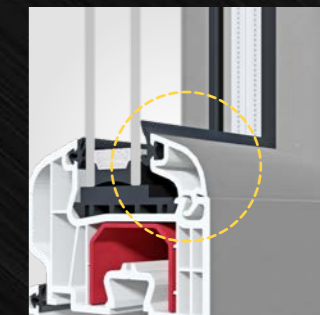
- Iglo 5 / Iglo 5 PSK
- Iglo 5 Classic / Iglo 5 Classic PSK
- Iglo Light / Iglo Light PSK

36 mm:

- Iglo-HS

Iglo Premier

- Iglo EXT



STANDARD
GLAZING BEAD



RECTANGULAR
GLAZING BEAD